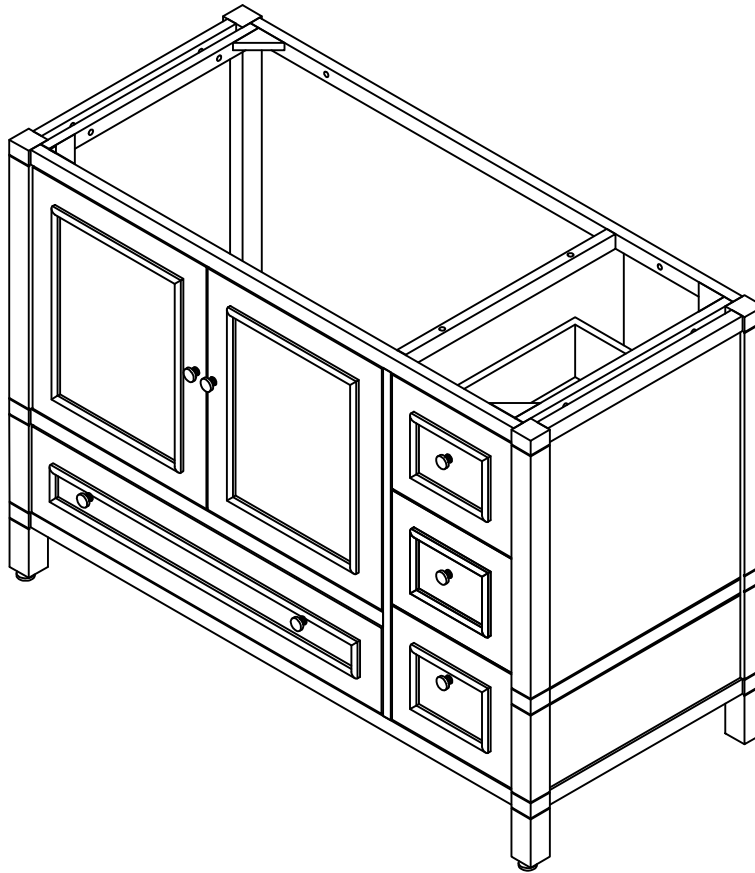


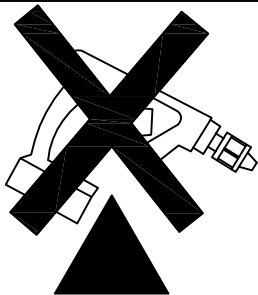
ASSEMBLY INSTRUCTION

48" Vanity

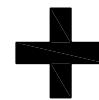
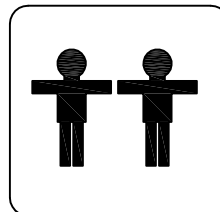


REPLACEMENT PARTS

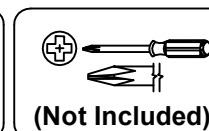
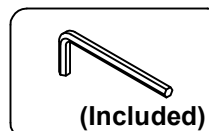
Please do not contact the company purchased from as we can help you faster.
Order replacement parts and hardware at " www.boltonfurniture.com "



. Use of power tool to assemble this product will invalidate any claim and damage this product making it unsafe !!!
. Please assemble on a clean soft surface to avoid damage.

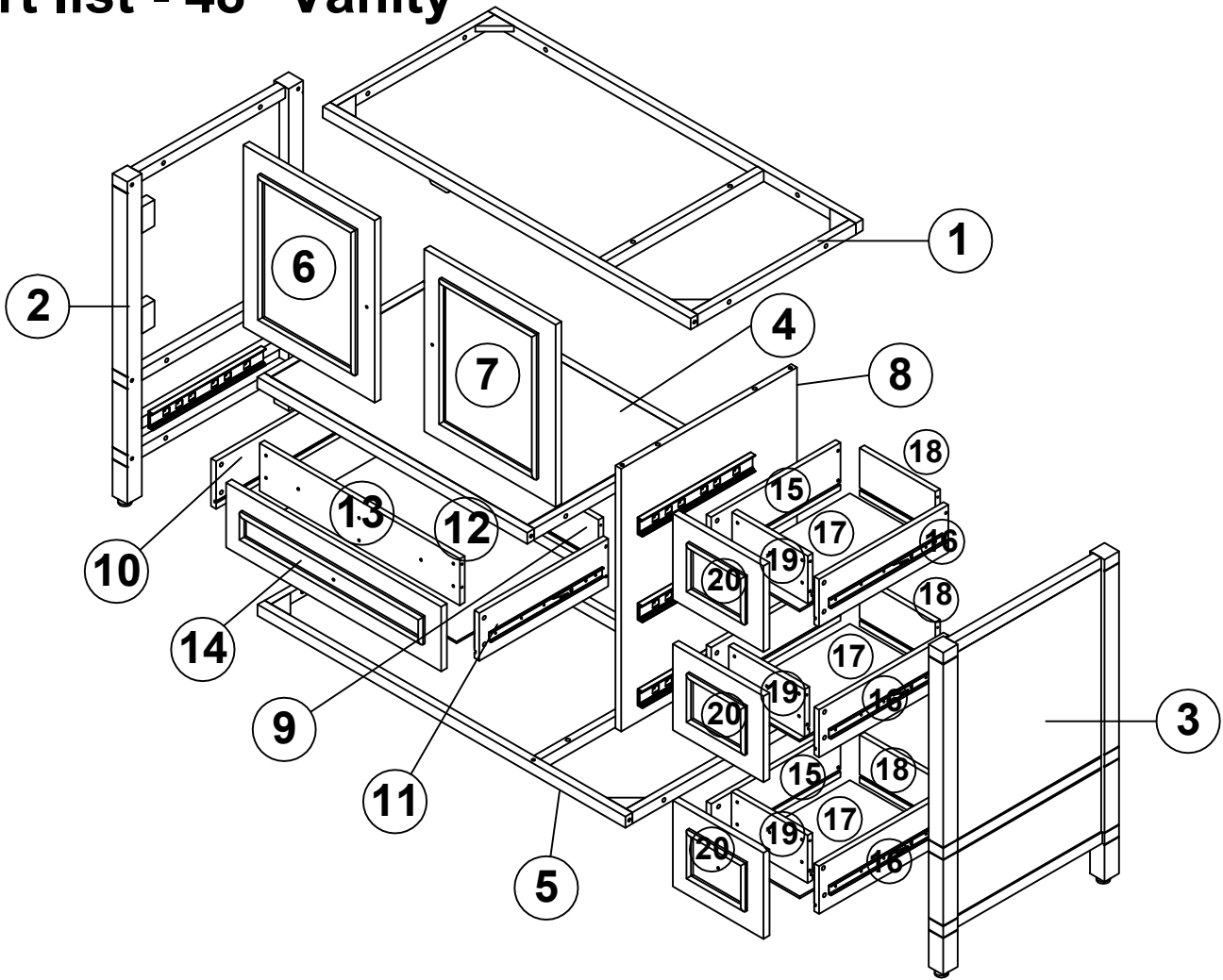


Tools Required










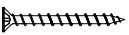

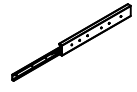

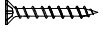



www.boltonfurniture.com

Part list - 48" Vanity

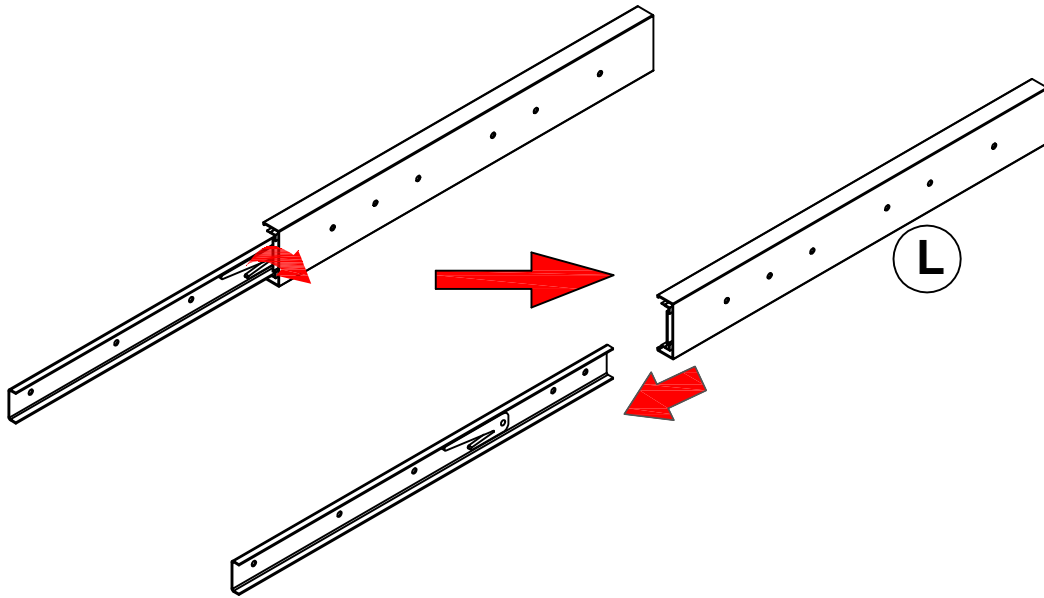


Identifying the hardware-Identify the hardware using the illustrations below

A  10 Ø8*30mm Wood Dowel	B  16 M6*45mm Bolt	C  16 Ø6*16mm Washer
D  02 Hinge-1	E  02 Hinge-2	F  24 3.5*15mm Screw
G  07	H  07 4*25mm Screw	I  04 Leveler
J  02 4*50mm Screw	K  01	L  08
M  64 3.5*12mm Screw	N  50 4*25mm Screw	O  32 Ø6*20mm Wood Dowel

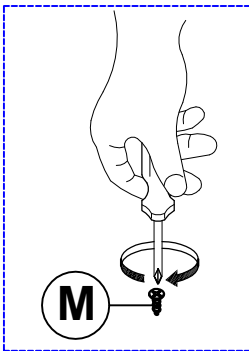
Step 01

L  08




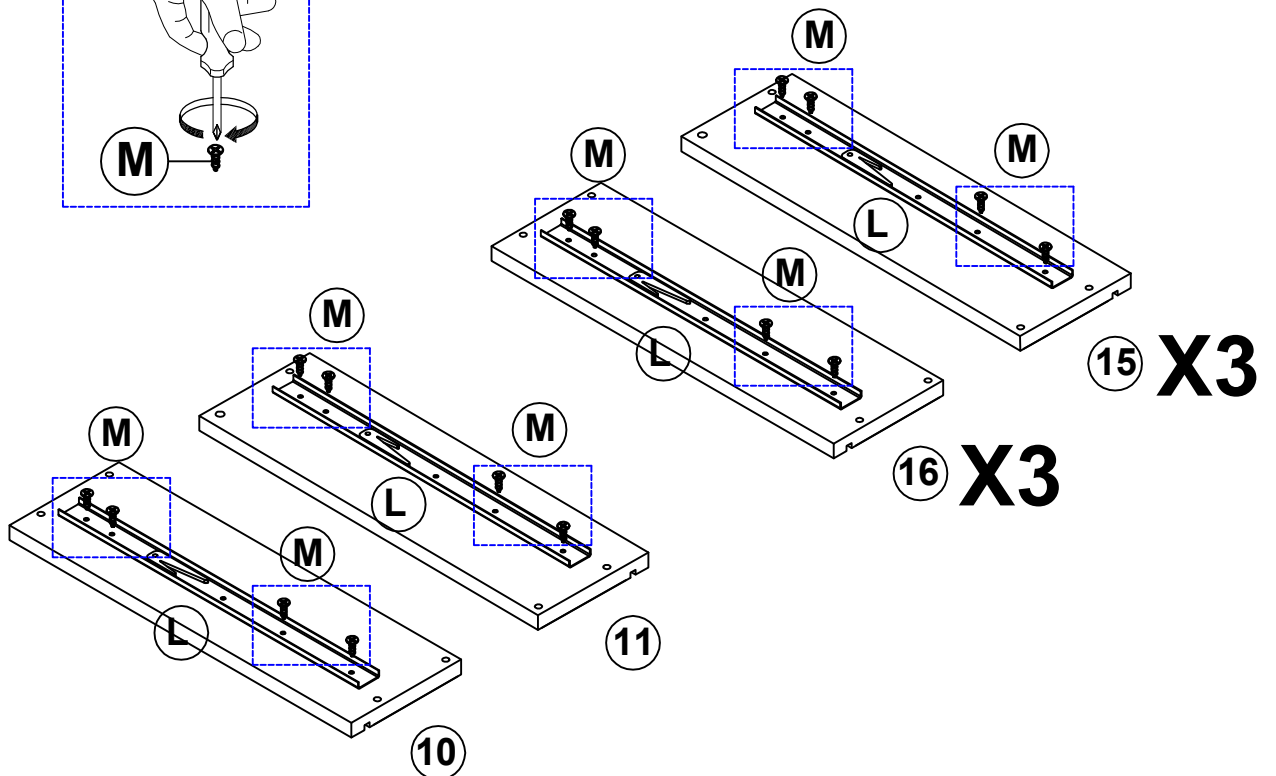
X8

Step 02



M  32
3.5*12mm Screw

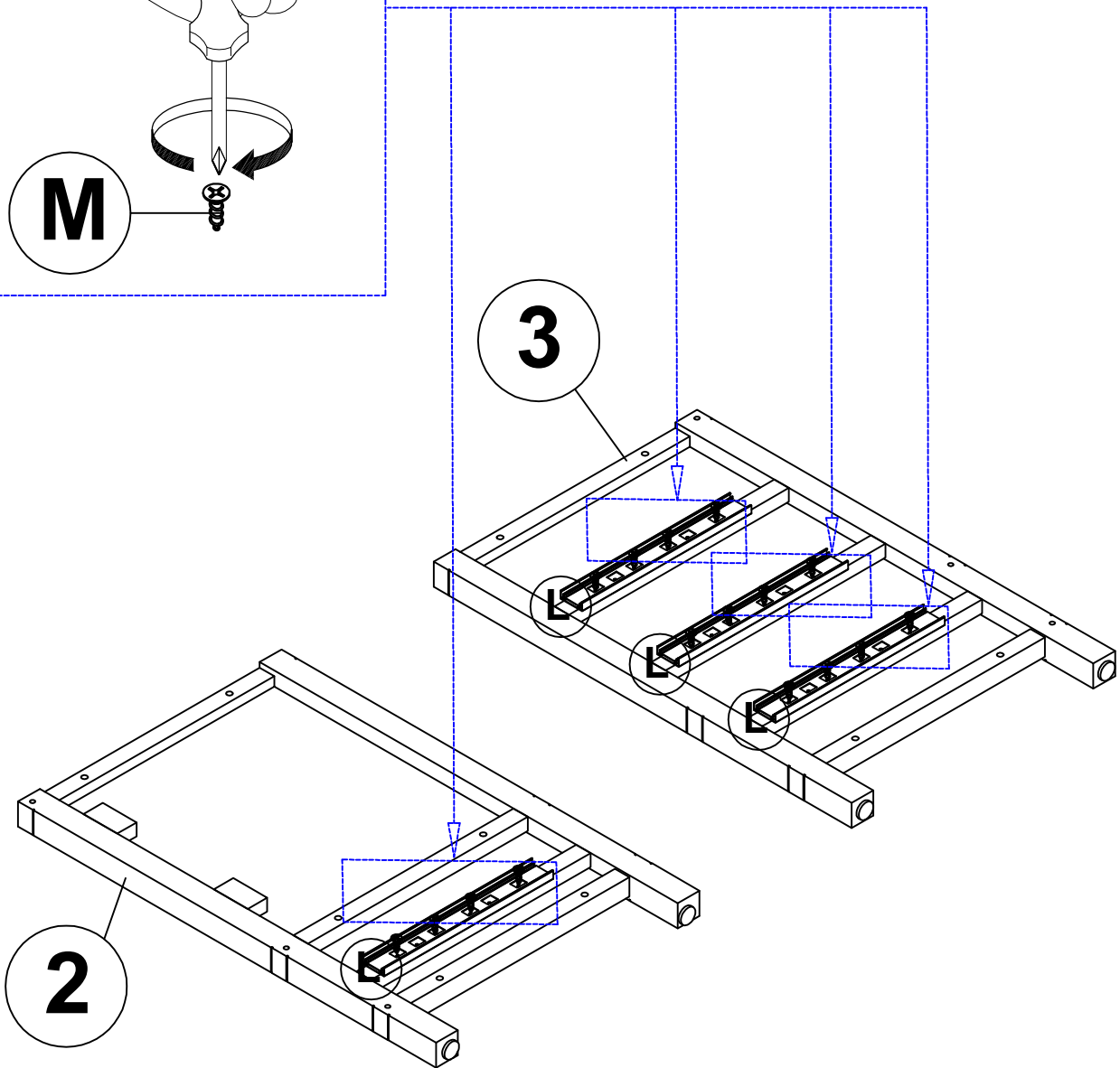
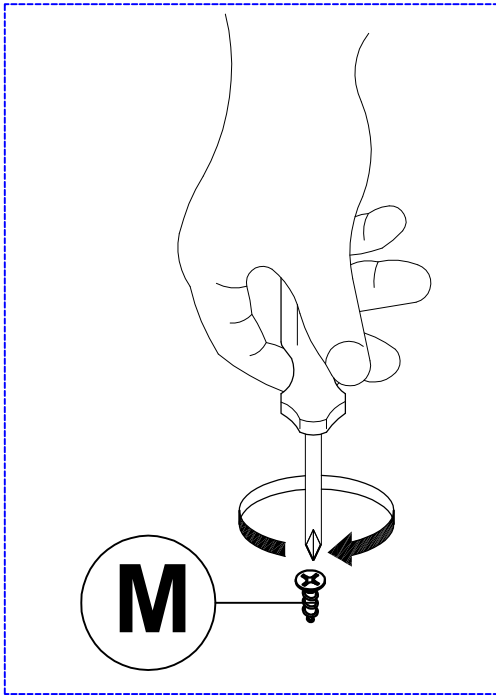
 01



Step 03

M 16
3.5*12mm Screw

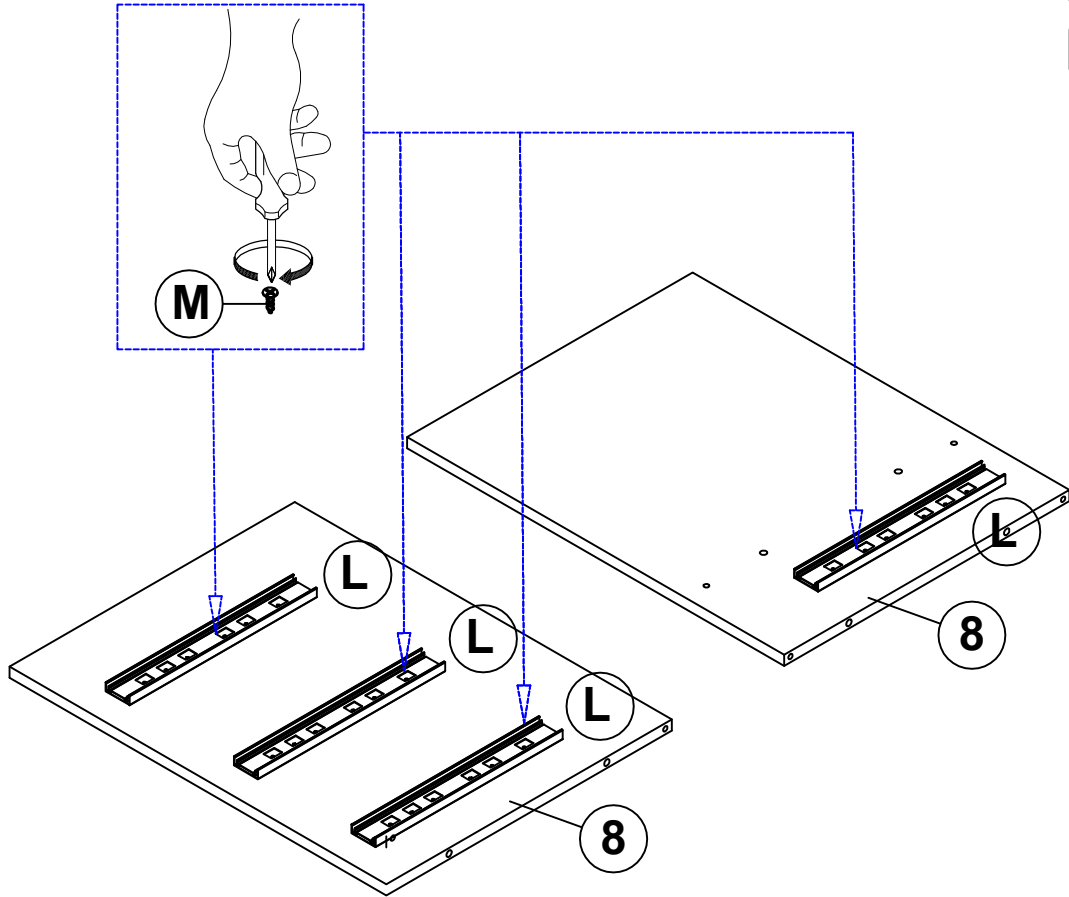
01



Step 04

M 16
3.5*12mm Screw

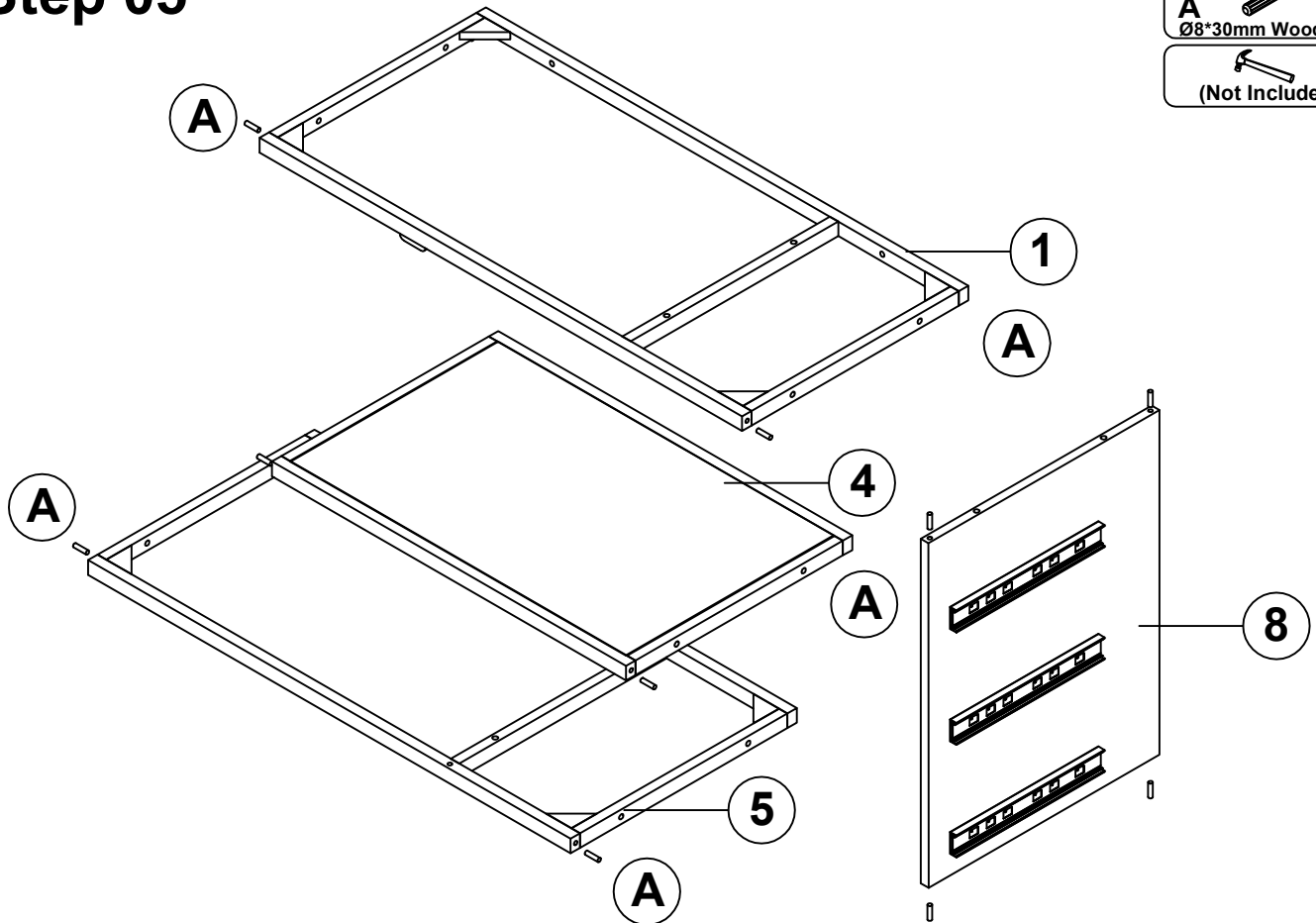
01



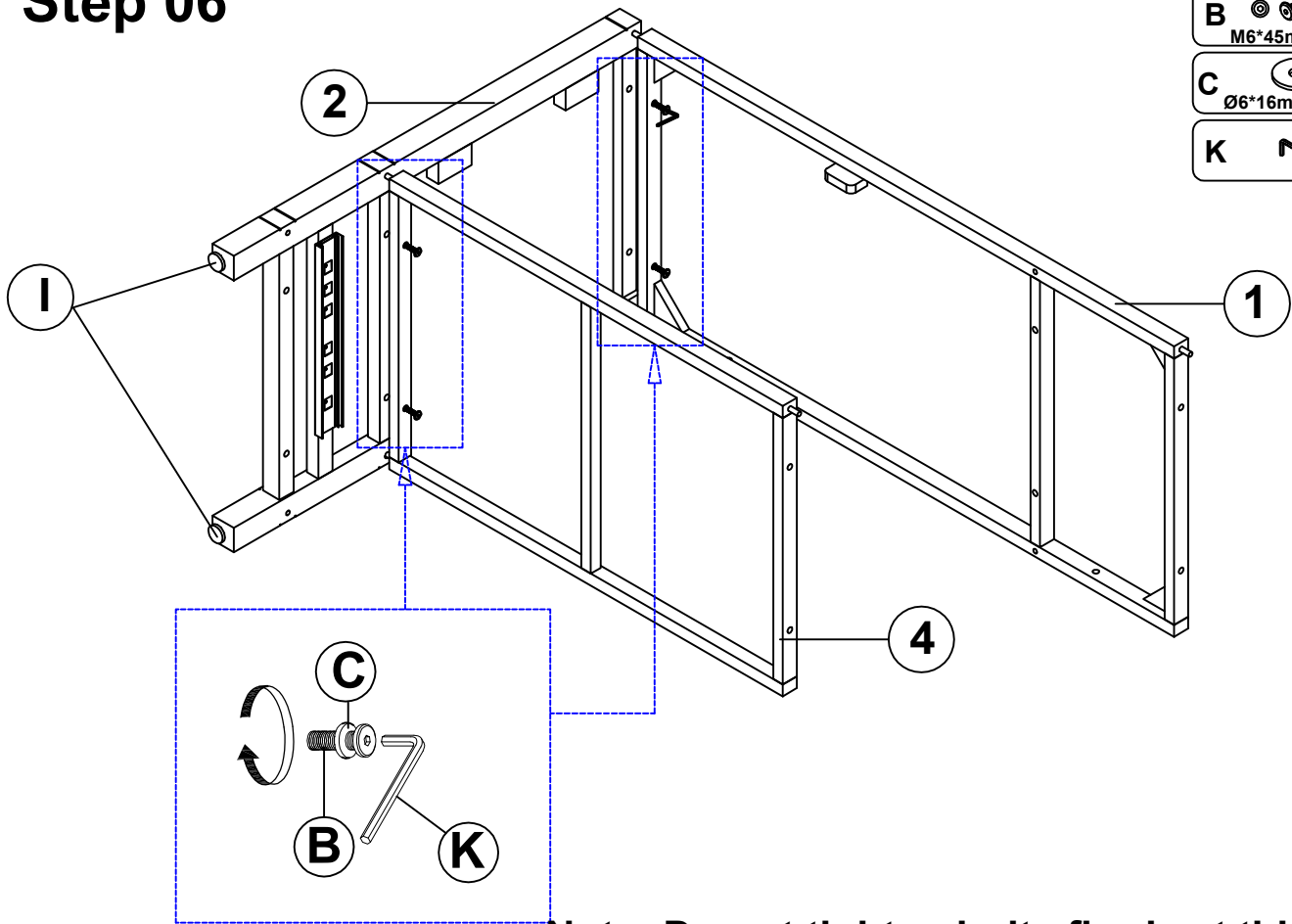
Step 05

A 16
Ø8*30mm Wood Dowel

01
(Not Included)



Step 06



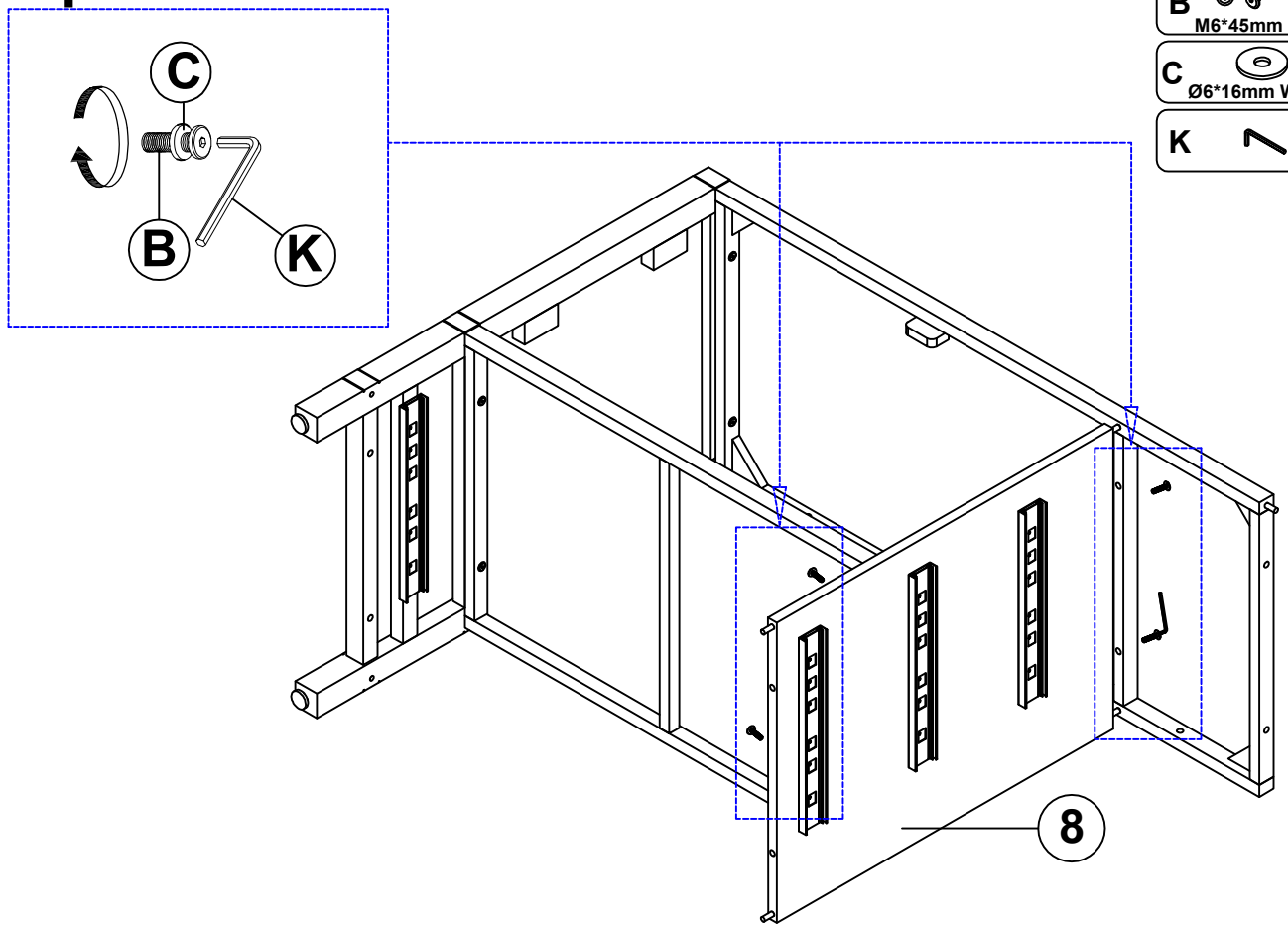
B 04
M6*45mm Bolt

C 04
Ø6*16mm Washer

K 01

Note: Do not tighten bolts firmly at this time

Step 07



B 04
M6*45mm Bolt

C 04
Ø6*16mm Washer

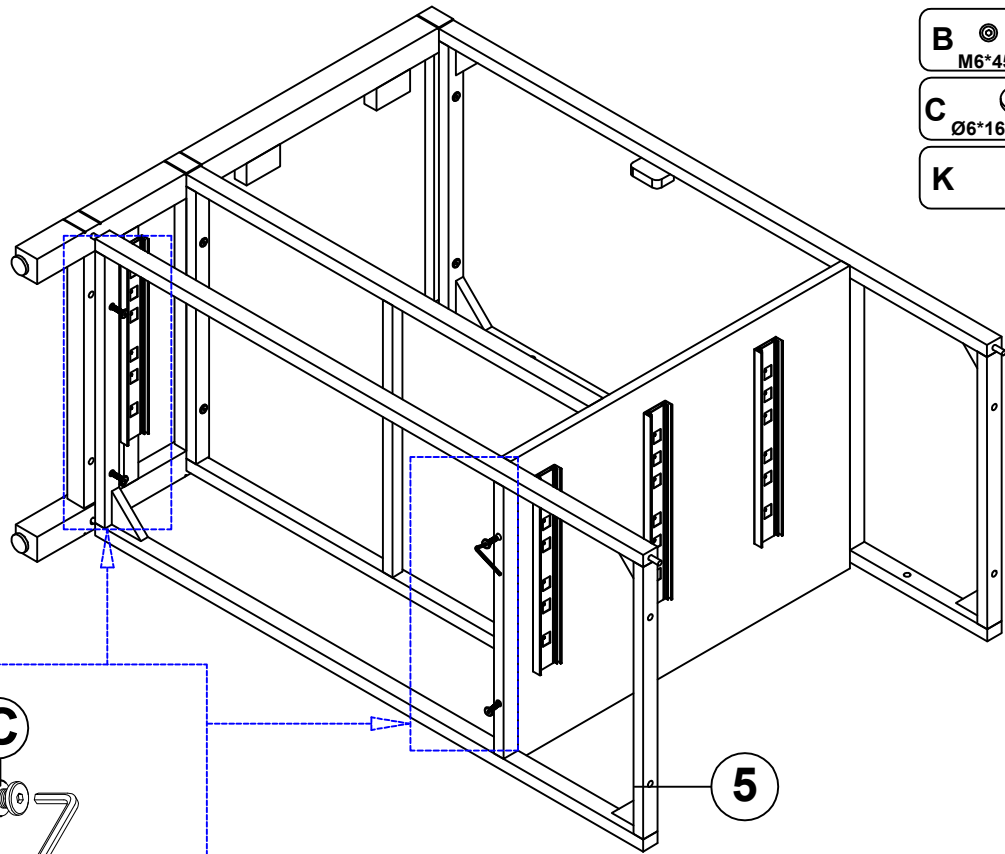
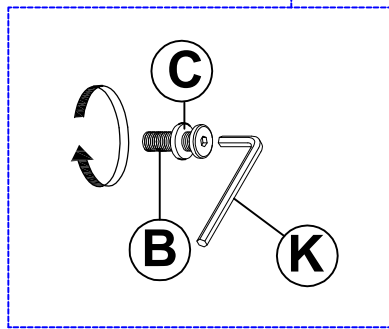
K 01

Step 08

B  **04**
M6*45mm Bolt

C  **04**
Ø6*16mm Washer

K  **01**

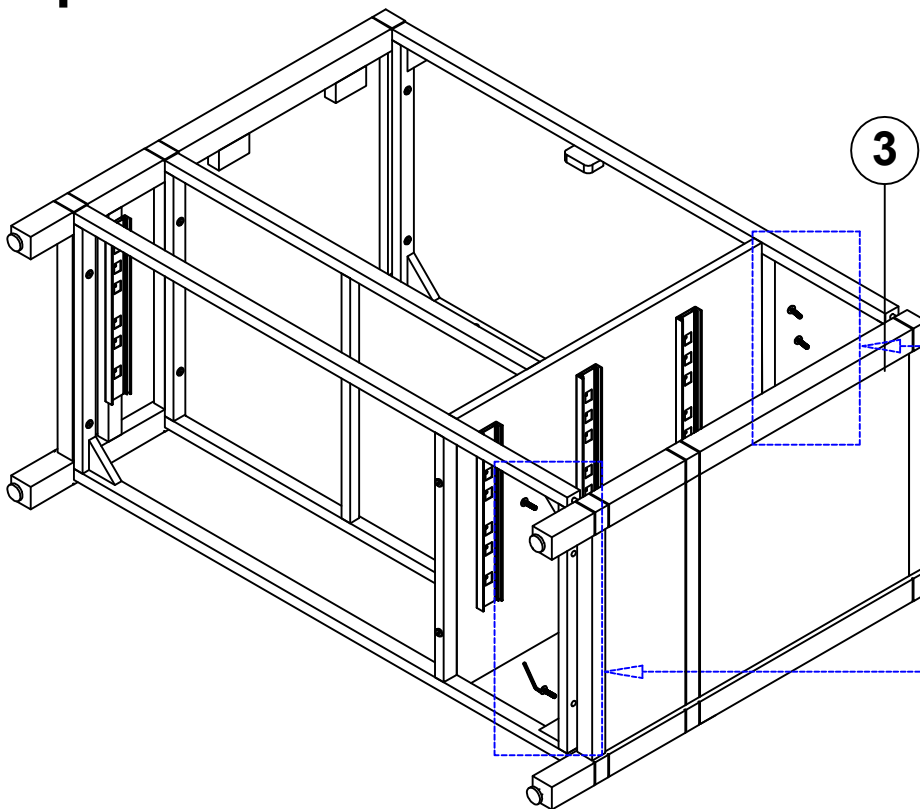
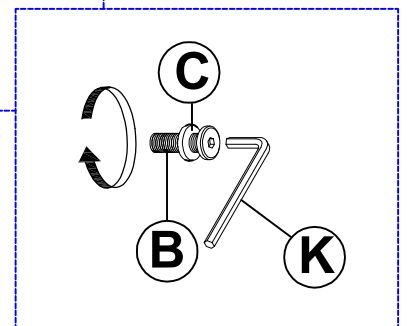


Step 09

B  **04**
M6*45mm Bolt

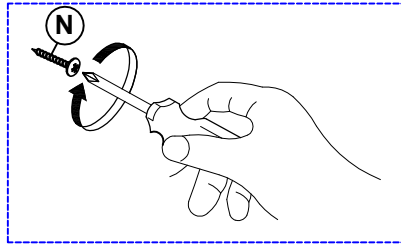
C  **04**
Ø6*16mm Washer

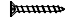
K  **01**




Note: Tighten all bolts at this time

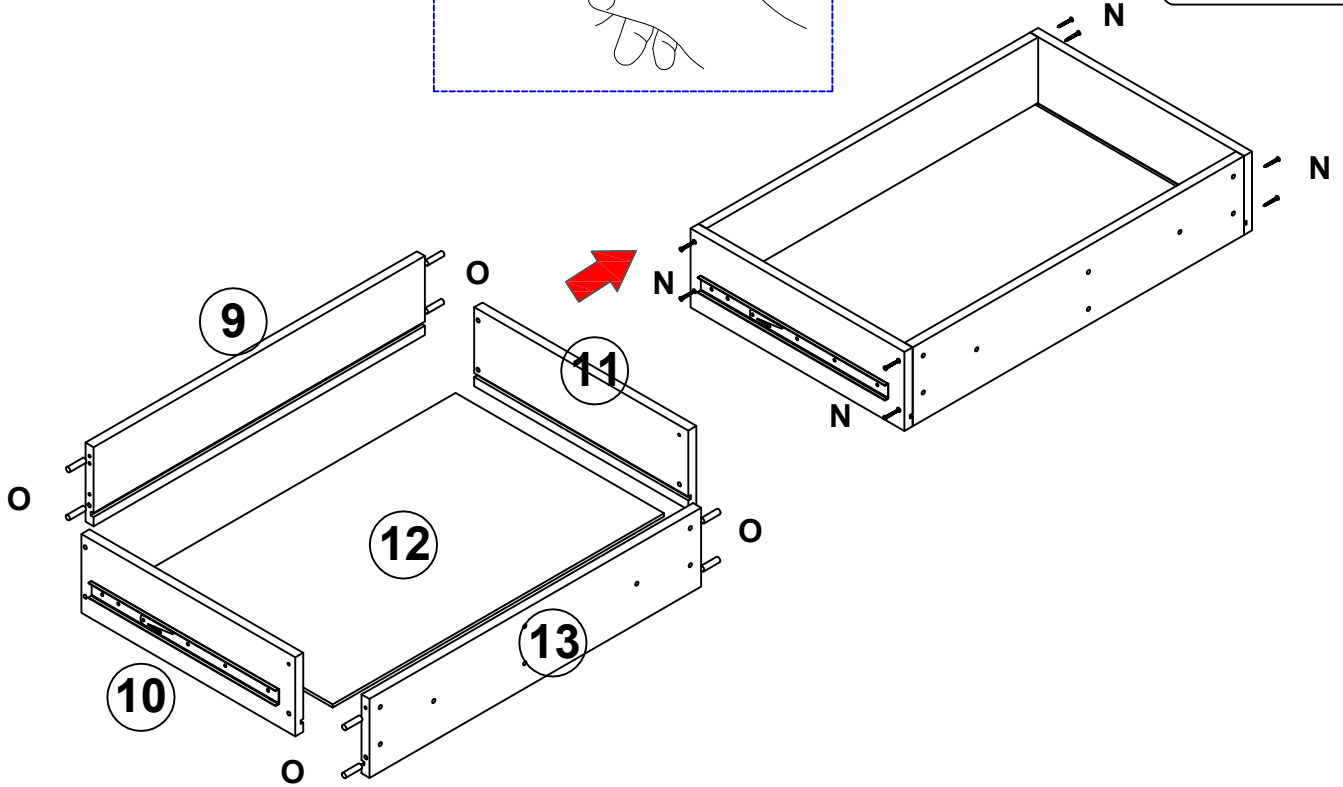
Step 10



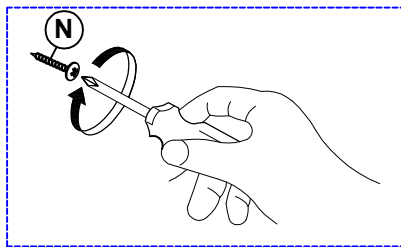
N  08
4*25mm Screw

O  08
Ø6*30mm Wood Dowel

 01

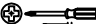


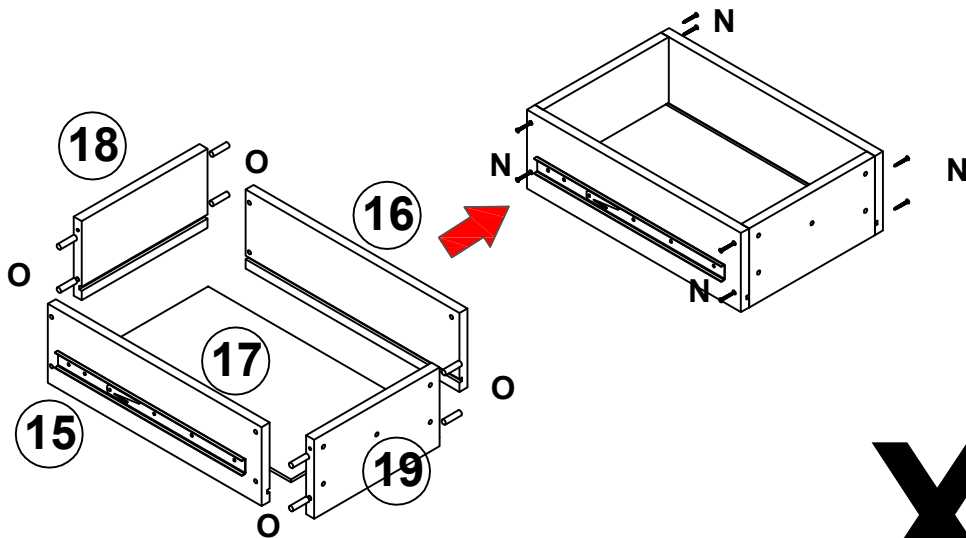
Step 11



N  24
4*25mm Screw

O  24
Ø6*30mm Wood Dowel

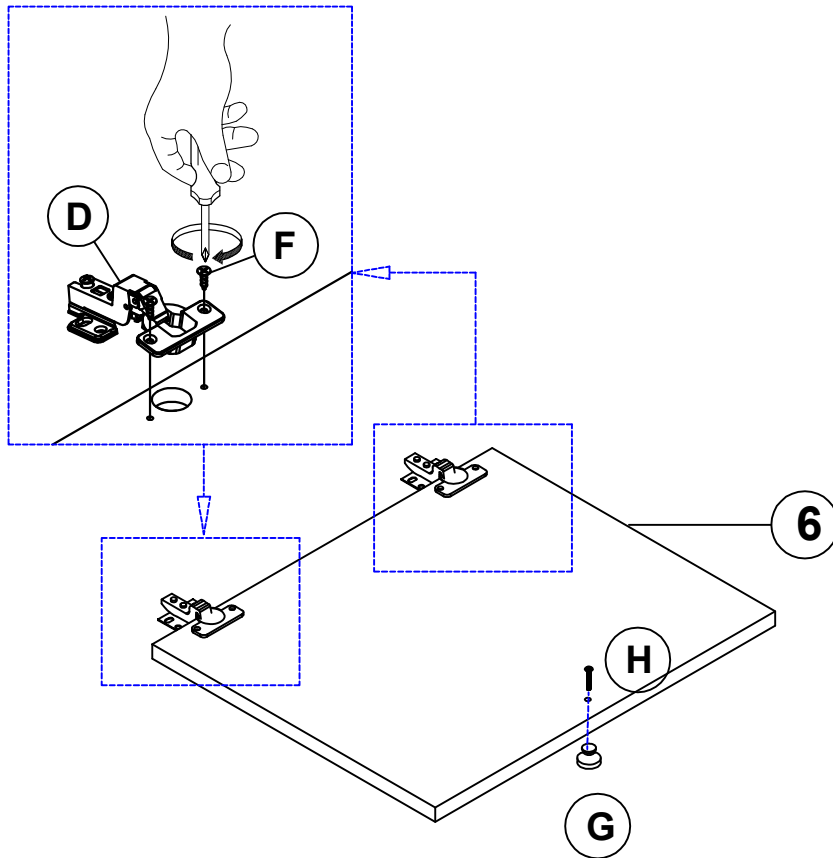
 01








X3

Step 12

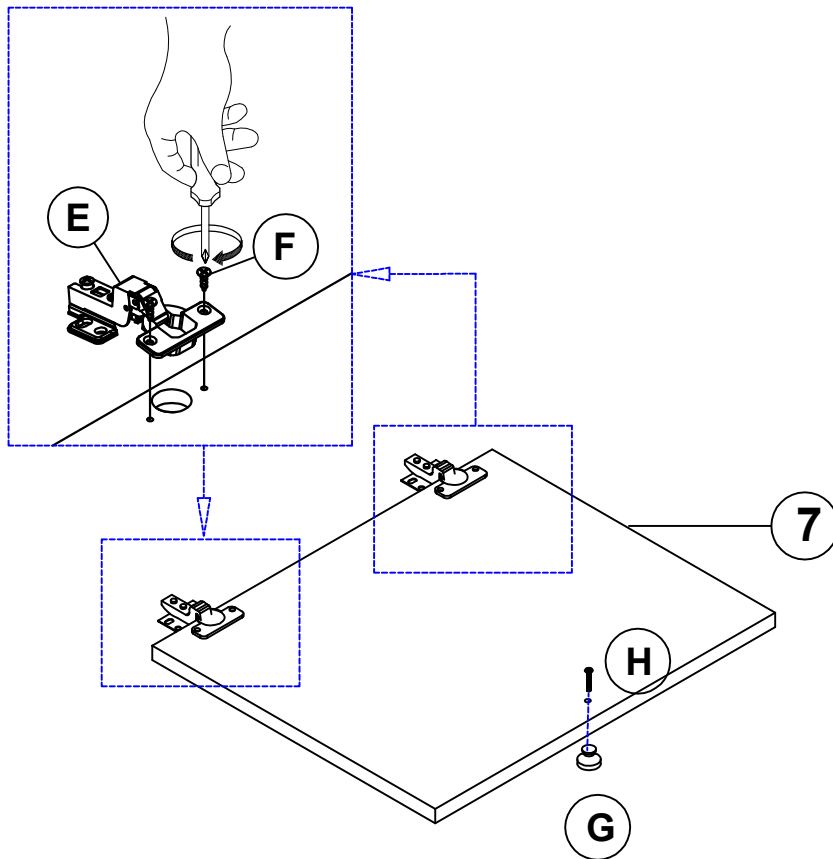
Hinge1








- D  02
Hinge-1
- F  04
3.5*15mm Screw
- G  01
- H  01
4*25mm Screw
-  01

Step 13

Hinge2

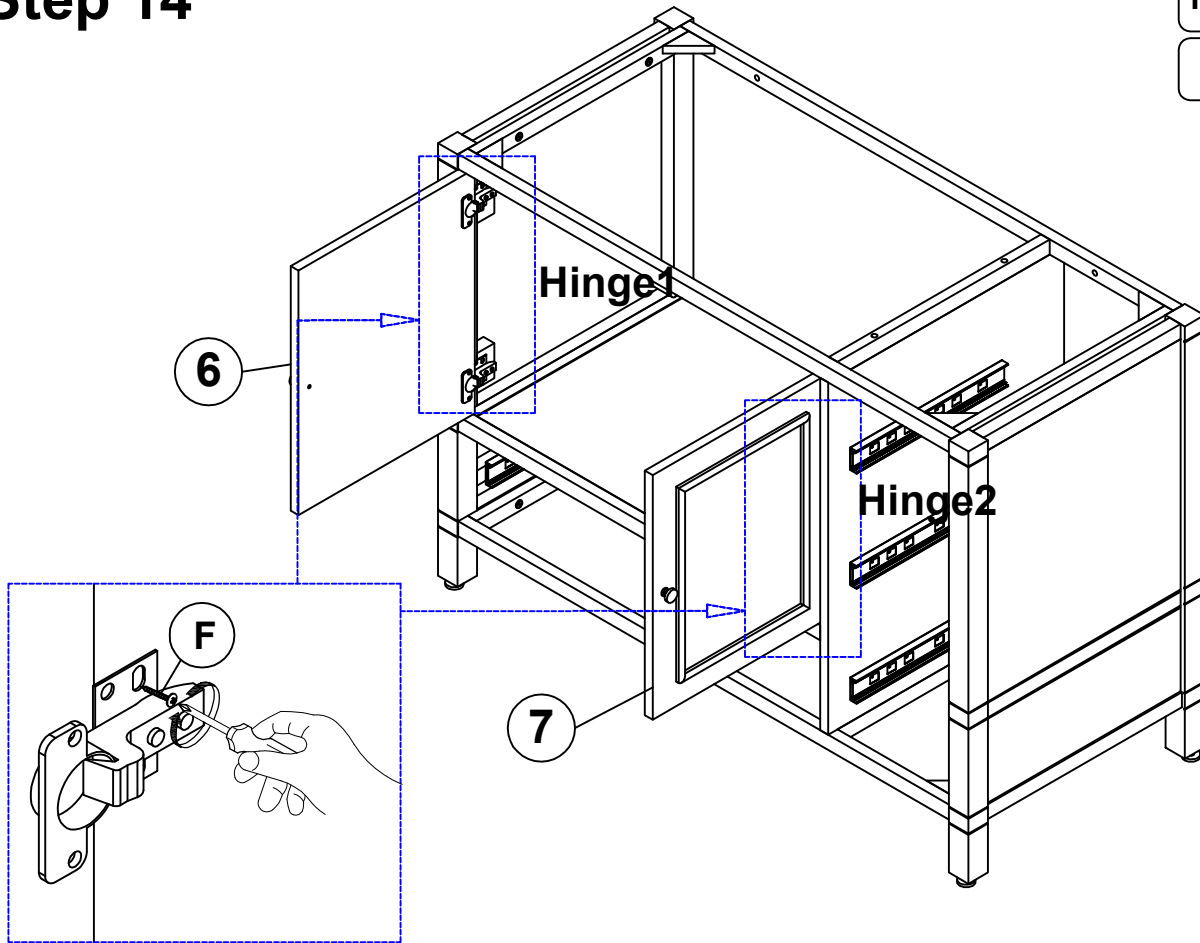


- E  02
Hinge-2
- F  04
3.5*15mm Screw
- G  01
- H  01
4*25mm Screw
-  01

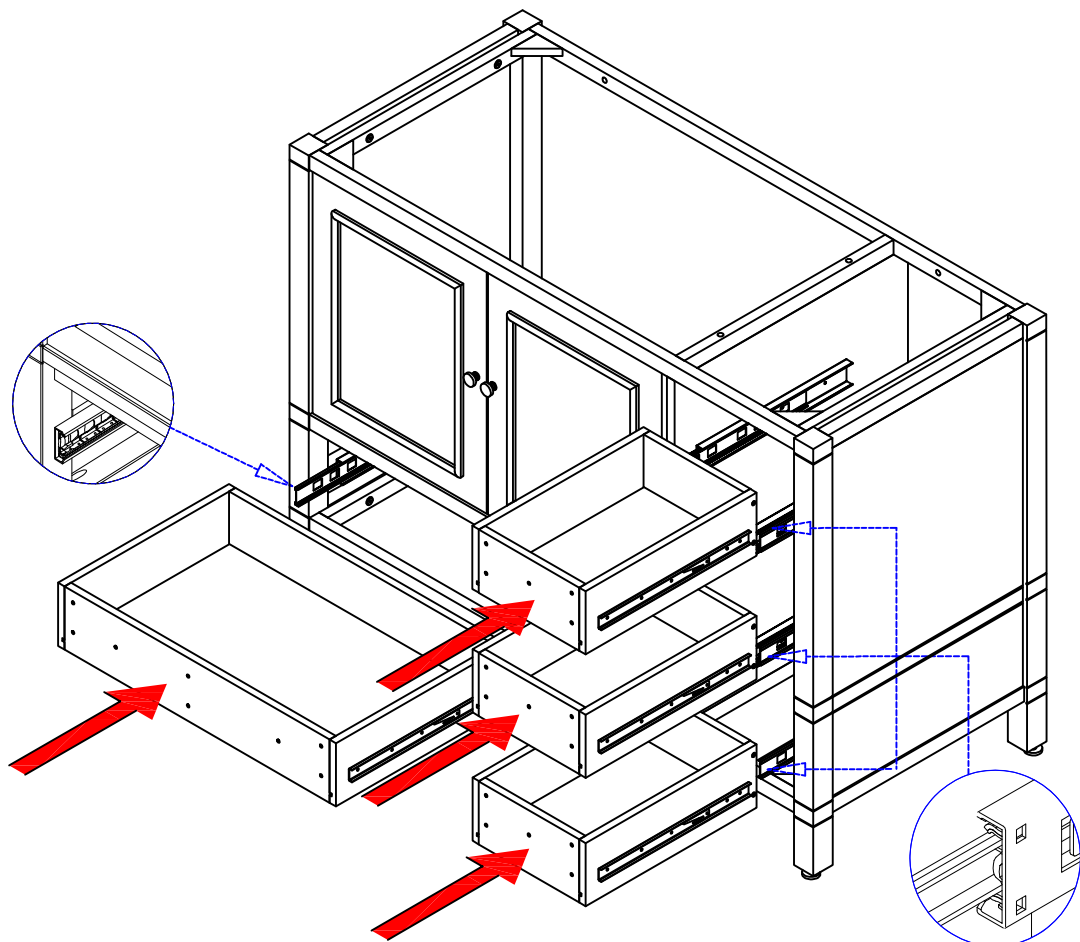
Step 14

F  16
3.5*15mm Screw




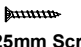
 01

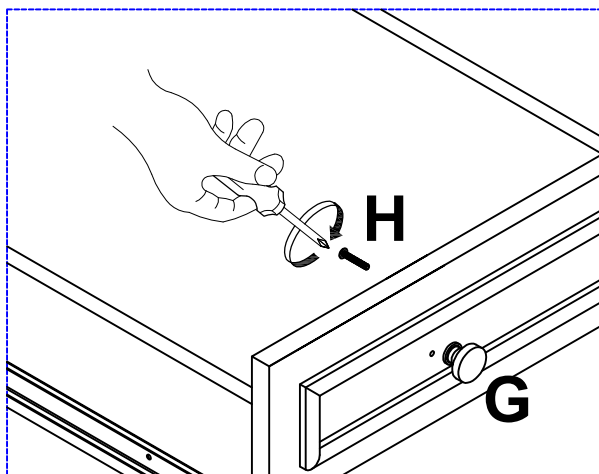
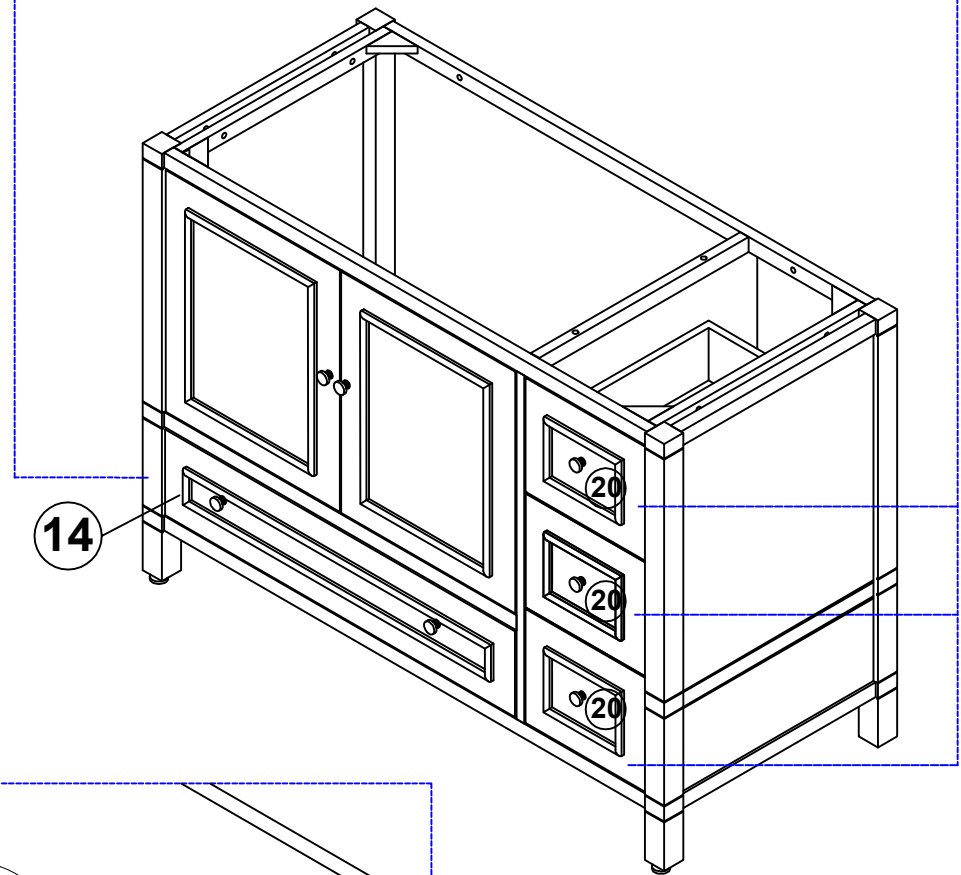
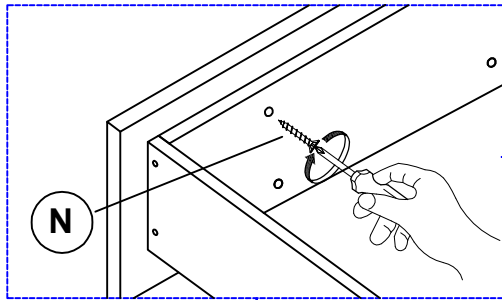


Step 15



Step 16

- G**  **05**
- H**  **05**
4*25mm Screw
-  **01**
- N**  **18**
4*25mm Screw



Step 17

J 4*50mm Screw 02

01

- . Mark the location of the Studs in the wall on the stretcher rail.
- . Drill a 1/16" thru hole in the center of the Stretcher Rail at the location of the studs in the wall.
- . Secure the Vanity to the wall using screws (I) Make sure the screws align with the wall.

